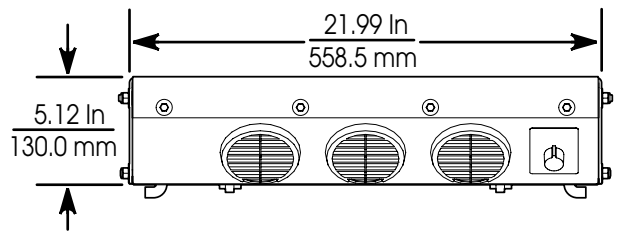
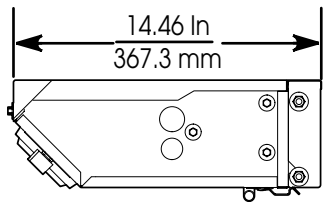




Red Dot Air Conditioner R-9755 Series

TECHNICAL SALES BULLETIN AND SERVICE PARTS LIST

DIMENSIONS

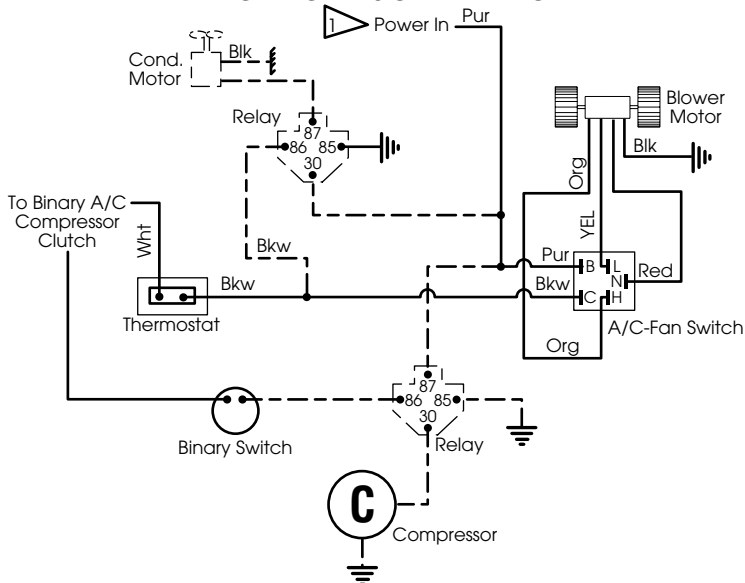


SPECIFICATIONS

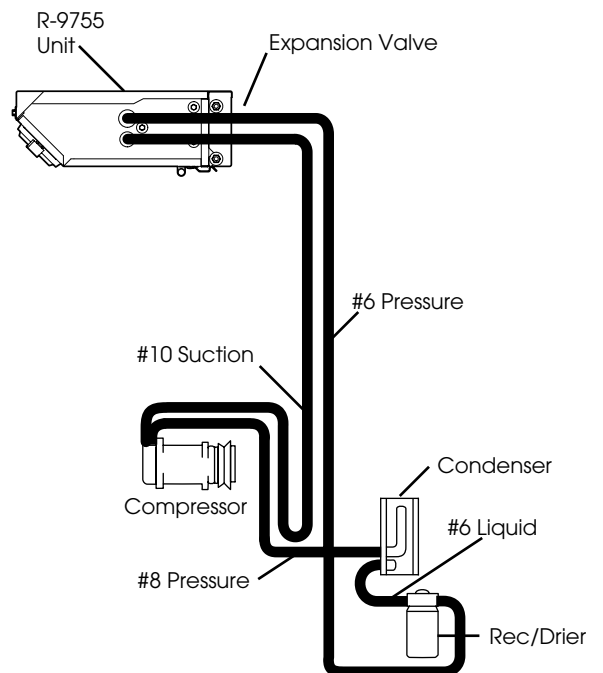
- BTU's Per Hour:** Cooling- 17,000 Btu/Hr (4.98 K.W./Hr.) @ 80°F. (26.7°C) Wet Bulb and 36°F. (2.20°C) Refrigerant Temp.
- Air Flow:** 250 C.F.M.
- Current Draw:** 14 Amps @ 13.6 Volts (Includes 4 Amps for A/C Clutch)
7 Amps @ 27.2 Volts (Includes 2 Amps for A/C Clutch)

SCHEMATICS

ELECTRICAL SCHEMATIC



PLUMBING SCHEMATIC



Use 15 Amp Fuse or Breaker for 24V System (Cust. Supplied)
Use 30 Amp Fuse or Breaker for 12V System (Cust. Supplied)

Note: All Wires Are 16 Ga Unless Otherwise Specified
WARNING: Unit warranty void if fused power source not used.